

ITEM CATALOGUE

S. S. INC.



GN-3, SHIVAJI ENCLAVE
RAJOURI GARDEN,
NEW DELHI-110027
INDIA

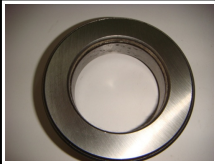
Phone :011 42131041, 011 25919879

Fax : 011 45578632

Mobile :+91 9891138002

E-mail : lotus_impex@yahoo.com

Page No. : 1 of 4



I.Code: TRTP0053 Net Wt.
S.Code: ENE0028 Dno.AACC00681
CLUTCH BEARING 1087

Model: FORD
Specific:
ADP No.: 1087
ALT. No.:
Price:

I.Code: TRTP0063 Net Wt.
S.Code: ENE0038 Dno.AACC00691
H.L. REFLECTOR BEDFORD (LI 6608)

Model: BEDFORD
Specific:
ADP No.:
ALT. No.:
Price:



I.Code: TRTP0188 Net Wt.
S.Code: LIA0740 Dno.AACC00824
CAM SHAFT ADOPTER

Model: FORD
Specific:
ADP No.: C5NE-6A-255-A
ALT. No.:
Price:



I.Code: TRTP0189 Net Wt.
S.Code: LIA0741 Dno.AACC00825
CAM SHAFT ADOPTOR N-M

Model: FORD
Specific:
ADP No.:
ALT. No.:
Price:



I.Code: TRTP0190 Net Wt.
S.Code: LIA0742 Dno.AACC00826
CAM SHAFT THRUST PLATE

Model: FORD
Specific:
ADP No.: C5NE-6269A
ALT. No.:
Price:



I.Code: TRTP0242 Net Wt.
S.Code: LIA0794 Dno.AACC00878
CONTROL VALVE SLEEVE ASSLY
FORD-3600

Model: FORD-3600
Specific:
ADP No.: STD D3NN-488
ALT. No.:
Price:



I.Code: TRTP0243 Net Wt.
S.Code: LIA0795 Dno.AACC00879
CONTROL VALVE SPRING FORD

Model: FORD
Specific:
ADP No.: C5NN-924A
ALT. No.:
Price:



I.Code: TRTP0246 Net Wt.
S.Code: LIA0798 Dno.AACC00882
CONTROL VALVE WITH SLEEVE
ASSLY O-S 010,020,030,040,050,060

Model: FORD-3610
Specific:
ADP No.: EONN-488EA
ALT. No.:
Price:



I.Code: TRTP0247 Net Wt.
S.Code: LIA0799 Dno.AACC00883
CONTROL VALVE WITH SLEEVE
ASSLY O-S 010, 020, 030, 040, 050,

Model: FORD-3600
Specific:
ADP No.: D3NN-481
ALT. No.:
Price:



I.Code: TRTP0248 Net Wt.
S.Code: LIA0800 Dno.AACC00884
CONTROL VALVE WITH SLEEVE
ASSLY OS- 010, 020, 030

Model: FORD 3000
Specific:
ADP No.: C7NN-481
ALT. No.:
Price:



I.Code: TRTP0249 Net Wt.
S.Code: LIA0801 Dno.AACC00885
CONTROL VALVE WITH SLEEVE
ASSLY.

Model: FORD-3000
Specific:
ADP No.: STD C7NN-488
ALT. No.:
Price:



I.Code: TRTP0250 Net Wt.
S.Code: LIA0802 Dno.AACC00886
CONTROL VALVE WITH SLEEVE
ASSY FORD

Model: FORD-3610
Specific:
ADP No.: STD EONN-488EA
ALT. No.:
Price:



I.Code: TRTP0259 Net Wt.
S.Code: LIA0811 Dno.AACC00895
CRANK SHAFT SPACER N-M (HARD
& GRIND)

Model: FORD
Specific:
ADP No.: 91NH-6B-306AA
ALT. No.:
Price:



I.Code: TRTP0261 Net Wt.
S.Code: LIA0813 Dno.AACC00897
CRANK SHAFT SPACER O-M (HARD
& GRIND) FORD

Model: FORD
Specific:
ADP No.: 72NH-6B306-A
ALT. No.:
Price:



I.Code: TRTP0280 Net Wt.
S.Code: LIA0832 Dno.AACC00916
DRAFT CONTROL PLUNGER WITH
YOKE N-M

Model: FORD
Specific:
ADP No.: N.P.N.
ALT. No.:
Price:



I.Code: TRTP0281 Net Wt.
S.Code: LIA0833 Dno.AACC00917
DRAFT CONTROL PLUNGER WITH
YOKE O-M

Model: FORD
Specific:
ADP No.: N.P.N.
ALT. No.:
Price:



I.Code: TRTP0305 Net Wt.
S.Code: LIA0857 Dno.AACC00941
FLOW CONTROL VALVE ASSLY
FORD 3600 OS 010, 020, 030, 040,

Model: FORD-3600
Specific:
ADP No.: D3NNO-J997-A
ALT. No.:
Price:



I.Code: TRTP0306 Net Wt.
S.Code: LIA0858 Dno.AACC00942
FLOW CONTROL VALVE ASSLY
FORD 3600 STD

Model: FORD 3600
Specific:
ADP No.: D3NN-F-928-A
ALT. No.:
Price:



I.Code: TRTP0307 Net Wt.
S.Code: LIA0859 Dno.AACC00943
FLOW CONTROL VALVE ASSLY O-S
010, 020, 030, 040, 050, 060

Model: FORD 3610
Specific:
ADP No.: EONN-J997
ALT. No.:
Price:



I.Code: TRTP0308 Net Wt.
S.Code: LIA0860 Dno.AACC00944
FLOW CONTROL VALVE ASSLY
FORD 3610 STD EONN-F928

Model: FORD-3610
Specific:
ADP No.: EONN-F928
ALT. No.:
Price:

ITEM CATALOGUE

S. S. INC.



GN-3, SHIVAJI ENCLAVE
RAJOURI GARDEN,
NEW DELHI-110027
INDIA

Phone :011 42131041, 011 25919879

Fax : 011 45578632

Mobile :+91 9891138002

E-mail : lotus_impex@yahoo.com

Page No. : 2 of 4



I.Code: TRTP0309 Net Wt.
S.Code: LIA0861 Dno.AACC00945
FLOW CONTROL VALVE ONLY

Model: FORD 3600
Specific:
ADP No.: D3NN-F-928-A
ALT. No.:
Price:



I.Code: TRTP0310 Net Wt.
S.Code: LIA0862 Dno.AACC00946
FLOW CONTROL VALVE ONLY

Model: FORD 3610
Specific:
ADP No.: EONN-F-928
ALT. No.:
Price:



I.Code: TRTP0341 Net Wt.
S.Code: LIA0893 Dno.AACC00977
HYD. LIFT ARM SHAFT BUSH BIG
FORD
Model: FORD
Specific:
ADP No.: 80NH-531B-A
ALT. No.:
Price:



I.Code: TRTP0342 Net Wt.
S.Code: LIA0894 Dno.AACC00978
HYD. LIFT ARM SHAFT BUSH SMALL
FORD
Model: FORD
Specific:
ADP No.: 80NH-531A-A
ALT. No.:
Price:



I.Code: TRTP0349 Net Wt.
S.Code: LIA0901 Dno.AACC00985
HYD. LIFT CONTROL LEVER SHAFT
FORD
Model: FORD
Specific:
ADP No.: D3NN-517-B
ALT. No.:
Price:



I.Code: TRTP0357 Net Wt.
S.Code: LIA0909 Dno.AACC00993
HYD. LIFT DRAFT CONTROL
PLUNGER (HARD & GRIND)
Model: FORD
Specific:
ADP No.: C5NN-541-A
ALT. No.:
Price:



I.Code: TRTP0375 Net Wt.
S.Code: LIA0918 Dno.AACC01011
HYD. LIFT FLOW CONT. VALVE PLUG
SMALL
Model: FORD 3600
Specific:
ADP No.:
ALT. No.:
Price:




I.Code: TRTP0376 Net Wt.
S.Code: LIA0919 Dno.AACC01012
HYD. LIFT FLOW CONTROL VALVE
PLUG BIG
Model: FORD 3600
Specific:
ADP No.: D3NN-F-947A
ALT. No.:
Price:



I.Code: TRTP0384 Net Wt.
S.Code: LIA0927 Dno.AACC01020
HYD. LIFT PLUNGER YOKE N-M
FORD
Model: FORD
Specific:
ADP No.: 92NH-546-AA
ALT. No.:
Price:



I.Code: TRTP0385 Net Wt.
S.Code: LIA0928 Dno.AACC01021
HYD. LIFT PLUNGER YOKE O-M
FORD
Model: FORD
Specific:
ADP No.: C5NN-546-C
ALT. No.:
Price:



I.Code: TRTP0390 Net Wt.
S.Code: LIA0933 Dno.AACC01026
HYD. LIFT PUMP DRIVE IDLER GEAR
SHAFT (U.T. PUMP)
Model: FORD
Specific:
ADP No.: D4NN-872A
ALT. No.:
Price:



I.Code: TRTP0391 Net Wt.
S.Code: LIA0934 Dno.AACC01027
HYD. LIFT PUMP PLATE (IMP.PUMP)
FORD
Model: FORD
Specific:
ADP No.: CONN-852.A
ALT. No.:
Price:



I.Code: TRTP0397 Net Wt.
S.Code: LIA0940 Dno.AACC01033
HYD. LIFT RAM CYLINDER PISTON
O-S 010, 020, 030, 040
Model: FORD
Specific:
ADP No.: C5NN-530B
ALT. No.:
Price:



I.Code: TRTP0399 Net Wt.
S.Code: LIA0942 Dno.AACC01035
HYD. LIFT RAM CYLINDER PISTON
STD FORD
Model: FORD
Specific:
ADP No.: C5NN-530B
ALT. No.:
Price:



I.Code: TRTP0404 Net Wt.
S.Code: LIA0947 Dno.AACC01040
HYD. LIFT ROCKER N-M FORD

Model: FORD
Specific:
ADP No.: DONN-535-AA
ALT. No.:
Price:



I.Code: TRTP0405 Net Wt.
S.Code: LIA0948 Dno.AACC01041
HYD. LIFT ROCKER O-M FORD

Model: FORD
Specific:
ADP No.: C7NN-535-C
ALT. No.:
Price:



I.Code: TRTP0407 Net Wt.
S.Code: LIA0950 Dno.AACC01043
HYD. LIFT SEAT INLET VALVE SET
(SET OF 6 PCS) FORD
Model: FORD
Specific:
ADP No.: C5NN-885-A
ALT. No.:
Price:



I.Code: TRTP0409 Net Wt.
S.Code: LIA0952 Dno.AACC01045
HYD. LIFT STAND PIPE FORD

Model: FORD
Specific:
ADP No.: C7NN-B853-D
ALT. No.:
Price:



I.Code: TRTP0410 Net Wt.
S.Code: LIA0953 Dno.AACC01046
HYD. LIFT UNLOAD VALVE PLUG

Model: FORD 3600 & 3610
Specific:
ADP No.: D3NN-916K
ALT. No.:
Price:



I.Code: TRTP0431 Net Wt.
S.Code: LIA0974 Dno.AACC01067
180937M91 HYD. PUMP DRIVE IDLER
GEAR SHAFT
Model: FORD
Specific:
ADP No.: C5NN-872-A
ALT. No.:
Price:

ITEM CATALOGUE

S. S. INC.



GN-3, SHIVAJI ENCLAVE
RAJOURI GARDEN,
NEW DELHI-110027
INDIA

Phone :011 42131041, 011 25919879

Fax : 011 45578632

Mobile :+91 9891138002

E-mail : lotus_impex@yahoo.com

Page No. : 3 of 4




I.Code: TRTP0477 Net Wt.
S.Code: LIA1020 Dno.AACC01113
HYD. RAM CYLINDER ONLY FORD

Model: FORD
Specific:
ADP No.: D3NN-478F
ALT. No.:
Price:



I.Code: TRTP0478 Net Wt.
S.Code: LIA1021 Dno.AACC01114
HYD. RAM CYLINDER WITH PISTON
ASSLY FORD

Model: FORD
Specific:
ADP No.: D3NN-477E
ALT. No.:
Price:



I.Code: TRTP0505 Net Wt.
S.Code: LIA1048 Dno.AACC01142
OIL PUMP ASSY(TESTED)

Model: FORD
Specific:
ADP No.: D1NN-6600-D
ALT. No.:
Price:



I.Code: TRTP0509 Net Wt.
S.Code: LIA1052 Dno.AACC01146
OIL PUMP DRIVE GEAR WITH SHAFT

Model: FORD-3610
Specific:
ADP No.: D3NN-6A-820-E
ALT. No.:
Price:



I.Code: TRTP0510 Net Wt.
S.Code: LIA1053 Dno.AACC01147
OIL PUMP DRIVE IDLER GEAR SHAFT

Model: FORD
Specific:
ADP No.: C5NN-872-A
ALT. No.:
Price:




I.Code: TRTP0512 Net Wt.
S.Code: LIA1055 Dno.AACC01149
OIL PUMP DRIVE SHAFT

Model: FORD 3600
Specific:
ADP No.: N.P.N
ALT. No.:
Price:



I.Code: TRTP0513 Net Wt.
S.Code: LIA1056 Dno.AACC01150
OIL PUMP DRIVE SHAFT

Model: FORD-3610
Specific:
ADP No.: N.P.N.
ALT. No.:
Price:



I.Code: TRTP0516 Net Wt.
S.Code: LIA1059 Dno.AACC01153
OIL PUMP INTERMEDIATE SHAFT

Model: FORD
Specific:
ADP No.: C7NN-6A-605 A
ALT. No.:
Price:



I.Code: TRTP0519 Net Wt.
S.Code: LIA1062 Dno.AACC01156
OIL PUMP ROTOR & SHAFT ASSLY

Model: FORD
Specific:
ADP No.: DINN-6608-D
ALT. No.:
Price:



I.Code: TRTP0520 Net Wt.
S.Code: LIA1063 Dno.AACC01157
OIL PUMP ROTOR SHAFT

Model: FORD
Specific:
ADP No.: D1NN-6609-A
ALT. No.:
Price:



I.Code: TRTP0533 Net Wt.
S.Code: LIA1076 Dno.AACC01170
PUSH GUIDE (VALVE TAPPET) FORD

Model: FORD
Specific:
ADP No.: C7NN-6500-B
ALT. No.:
Price:



I.Code: TRTP0542 Net Wt.
S.Code: LIA1085 Dno.AACC01179
RAIL TRANS GEAR SHIFT (2&6
REVERSE)

Model: FORD
Specific:
ADP No.: C5NN-7240-B
ALT. No.:
Price:



I.Code: TRTP0543 Net Wt.
S.Code: LIA1086 Dno.AACC01180
RAIL TRANS GEAR SHIFT (4&8)

Model: FORD
Specific:
ADP No.: C5NN-7240-L
ALT. No.:
Price:



I.Code: TRTP0544 Net Wt.
S.Code: LIA1087 Dno.AACC01181
RAIL TRANS GEAR SHIFT (7&3-5&1)

Model: FORD
Specific:
ADP No.: C5NN-7240-A
ALT. No.:
Price:



I.Code: TRTP0545 Net Wt.
S.Code: LIA1088 Dno.AACC01182
RAIL TRANS GEAR SHIFT (HIGH &
LOW)

Model: FORD
Specific:
ADP No.: C5NN-7240-AD
ALT. No.:
Price:



I.Code: TRTP0548 Net Wt.
S.Code: LIA1091 Dno.AACC01185
RAM CYLINDER SHEET METAL
PLATE BIG

Model: FORD
Specific:
ADP No.:
ALT. No.:
Price:




I.Code: TRTP0549 Net Wt.
S.Code: LIA1092 Dno.AACC01186
RAM CYLINDER SHEET METAL
PLATE SMALL

Model: FORD
Specific:
ADP No.:
ALT. No.:
Price:



I.Code: TRTP0567 Net Wt.
S.Code: LIA1110 Dno.AACC01204
ROCKER LEVER SCREW
(INDUCTION HARDING) FORD

Model: FORD
Specific:
ADP No.: B6-A-6549-C
ALT. No.:
Price:



I.Code: TRTP0569 Net Wt.
S.Code: LIA1112 Dno.AACC01206
ROCKER PADASTER

Model: FORD
Specific:
ADP No.: C7NN-6531-A
ALT. No.:
Price:



I.Code: TRTP0572 Net Wt.
S.Code: LIA1115 Dno.AACC01209
ROCKER SHAFT N-M (NITRIDING)

Model: FORD
Specific:
ADP No.: E7NN-6563-AA
ALT. No.:
Price:

ITEM CATALOGUE

S. S. INC.



GN-3, SHIVAJI ENCLAVE
RAJOURI GARDEN,
NEW DELHI-110027
INDIA

Phone :011 42131041, 011 25919879

Fax : 011 45578632

Mobile :+91 9891138002

E-mail : lotus_impex@yahoo.com

Page No. : 4 of 4



I.Code: TRTP0573 Net Wt.
S.Code: LIA1116 Dno.AACC01210
ROCKER SHAFT O-M (NITRIDING)

Model: FORD
Specific:
ADP No.: C5NE-6563-AA
ALT. No.:
Price:



I.Code: TRTP0578 Net Wt.
S.Code: LIA1121 Dno.AACC01215
SAFTY VALVE

Model: FORD
Specific:
ADP No.: 957E-984-B
ALT. No.:
Price:



I.Code: TRTP0583 Net Wt.
S.Code: LIA1126 Dno.AACC01220
SEAT

Model: FORD
Specific:
ADP No.:
ALT. No.:
Price:



I.Code: TRTP0601 Net Wt.
S.Code: LIA1144 Dno.AACC01238
STEERING CONE (HARD & GRIND)

Model: FORD
Specific:
ADP No.: 8N-33581
ALT. No.:
Price:




I.Code: TRTP0614 Net Wt.
S.Code: LIA1157 Dno.AACC01251
UNLOAD VALVE ONLY

Model: FORD 3610
Specific:
ADP No.: EONN-925
ALT. No.:
Price:



I.Code: TRTP0615 Net Wt.
S.Code: LIA1158 Dno.AACC01252
UNLOAD VALVE ONLY

Model: FORD 3610
Specific:
ADP No.: D3NN-925-C
ALT. No.:
Price:



I.Code: TRTP0616 Net Wt.
S.Code: LIA1159 Dno.AACC01253
UNLOAD VALVE SPRING FORD

Model: FORD
Specific:
ADP No.: D3NN-K841-A
ALT. No.:
Price:



I.Code: TRTP0617 Net Wt.
S.Code: LIA1160 Dno.AACC01254
UNLOAD VALVE WITH SLEEVE
ASSLY

Model: FORD 3610
Specific:
ADP No.: STD EONN-925
ALT. No.:
Price:



I.Code: TRTP0618 Net Wt.
S.Code: LIA1161 Dno.AACC01255
UNLOCK VALVE ASSLY, O-S 010, 020,
030, 040, 050, 060

Model: FORD 3600
Specific:
ADP No.: D3NN-482
ALT. No.:
Price:



I.Code: TRTP0619 Net Wt.
S.Code: LIA1162 Dno.AACC01256
UNLOCK VALVE WITH SLEEVE
ASSLY

Model: FORD 3600
Specific:
ADP No.: D3NN-925
ALT. No.:
Price:



I.Code: TRTP0620 Net Wt.
S.Code: LIA1163 Dno.AACC01257
UNLOCK VALVE WITH SLEEVE
ASSLY O-S 010, 020, 030, 040, 050,
Model: FORD 3610

Specific:
ADP No.: EONN-482
ALT. No.:
Price: